

Sampling the Female Genital Tract: Sno-strip Collection Method

Susan Cu-Uvin, Deborah Perez

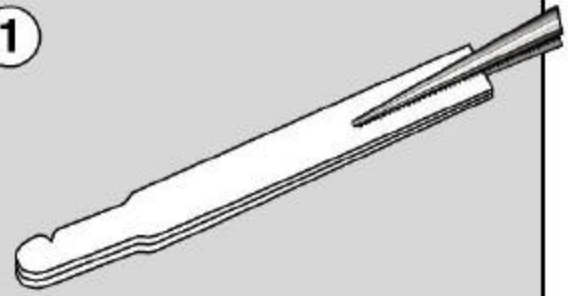
Female Genital Tract Specimen Collection

- The purpose of these collection methods is to obtain appropriate genital tract specimens: virologic, immunologic, other factors (drug levels, infections...)
- The subject must refrain from any kind of sexual activity, douching, and inserting any intravaginal products for at least 48 hours prior to the collection of vaginal/cervical specimens.

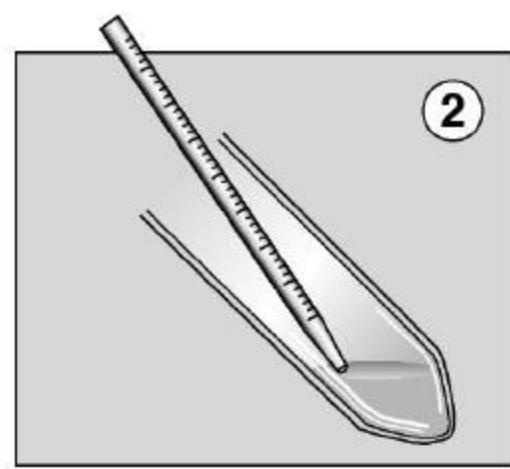
Female Genital Tract Specimen Collections

- Put the patient in lithotomy position
- Choose the appropriate size speculum
- Insert an unlubricated speculum properly allowing you to visualize the cervix. Lock the speculum in place.
- Remove excessive mucus gently using scopettes (large cotton swabs)

1



2



1

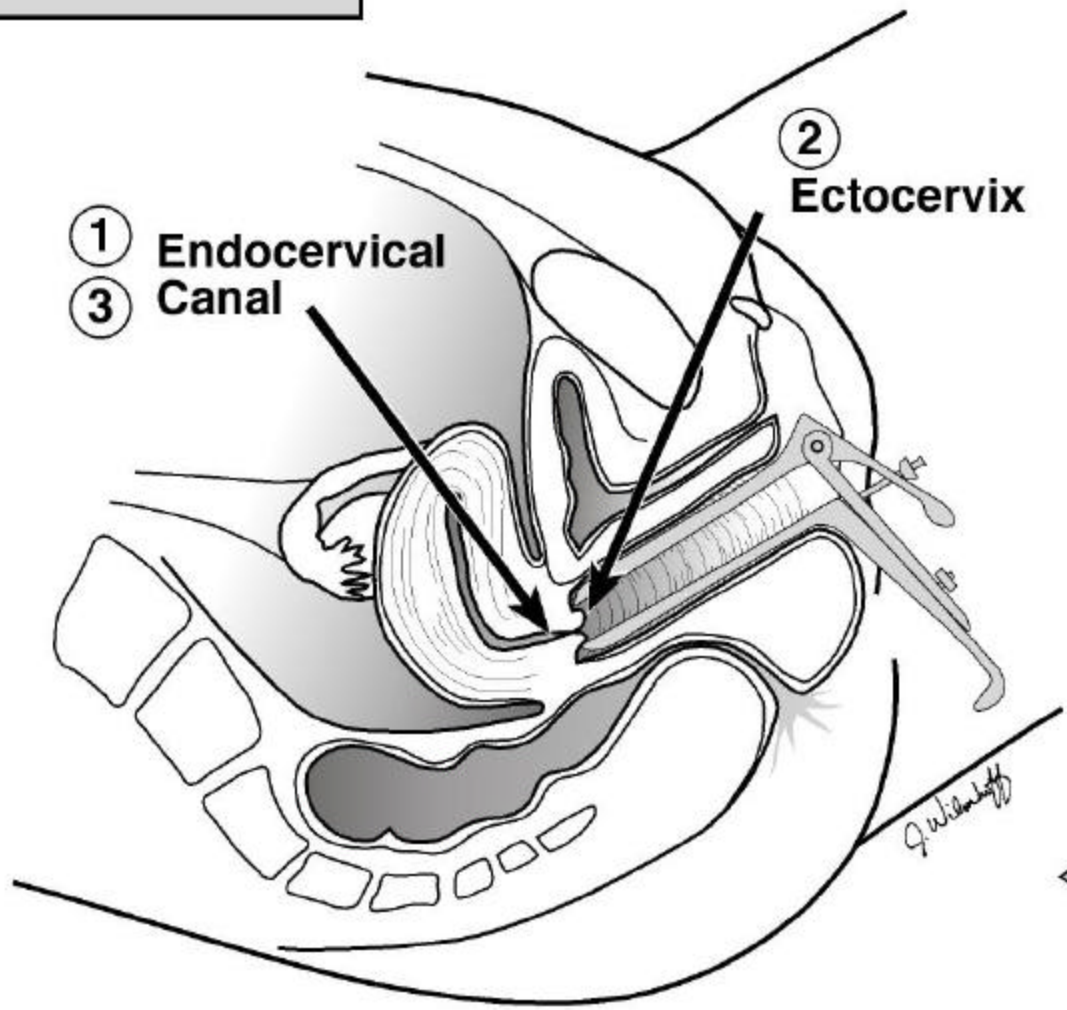
Endocervical

3

Canal

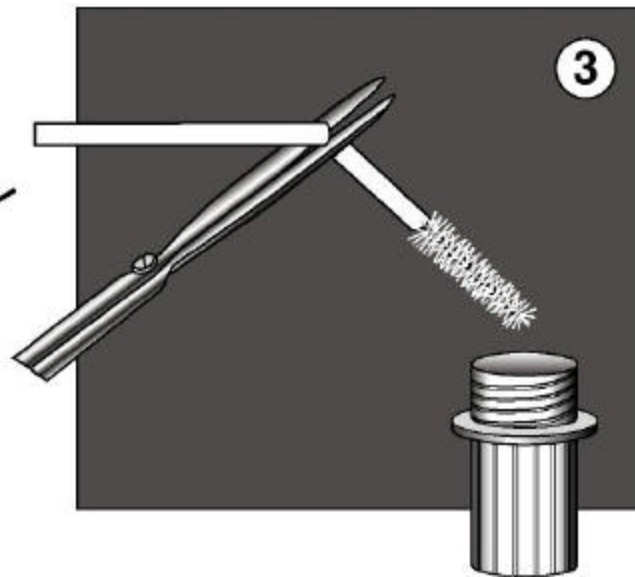
2

Ectocervix



Quinlan

3



Endocervical Wick Collection (Sno-Strips™)

- Sno-strips™ will be used as wicks to collect primarily cell-free virions from the endocervical fluid.
- Align 3 or more Sno-Strips™ held by forceps (ring, sponge or long Kelly forceps) and gently insert through the cervical os into the endocervical canal. Maintain inside the endocervical canal until absorbed secretions reach past the shoulder of the Sno-Strips™.

Endocervical Wick Collection (Sno-Strip™)

- Each Sno-Strip™ adsorbs about 8 uL of specimen. Adsorption usually takes approximately one minute, but may take longer.
- Hold the narrow end of the Sno-Strips™ over the transport cryovial containing media (example: Gaunidium). Cut the junction of the shoulder and neck with scissors allowing the narrow end to fall into the transport vial.
- Send to laboratory for processing.